



*Continuously runs
cycles with
independently
settable on/off ratio*



The CX100 is a solid state repeat cycle timer that will alternately turn an output on and off as long as power is applied to the unit. The CX100 is a microprocessor based timer with digital setting for greater setting accuracy than can be achieved with analog style repeat cycle timers. In addition to its greater setting accuracy, the CX100 timer is fully programmable to provide a number of time ranges and operating modes in one unit.

The ON and OFF time ranges are individually programmable for four time ranges from 199.99 seconds to 199 hours and 59 minutes. The CX100 timer is also programmable to have the ON time first instead of the OFF time first and to reset or non-reset on power interruption. The time ranges and the operating characteristics of the unit are programmed using 7 miniature rocker switches located inside the unit housing.

- Housed in standard CYCL-FLEX® enclosure for easier removal, programming changes, and service
- 4 1/2 digit (19999) liquid crystal display - .5 inch high
- Annunciators (right of the display) flash to indicate ON time cycle and are constantly on to indicate OFF time cycle
- Two socket mount 10 amp output relays - one performs ON/OFF cycle switching and the other is a set of instantaneous contacts that energize when power is applied to the start input and do not deenergize until power is disconnected from the start input
- Time inhibit input allows timing function to be stopped without resetting the unit
- Non-volatile memory data retention

SPECIFICATIONS

Time Ranges:

Maximum Range	Minimum Setting
199.99 Sec.	.01 Sec.
1999.9 Sec.	.1 Sec.
199 Min.: 59 Sec.	1 Sec.
199 Hr.: 59 Min.	1 Min.

Operating Voltage/Frequency:

- A6 - 120 VAC, 50/60 Hz
- B6 - 240 VAC, 50/60 Hz

Setting Accuracy: ±0.05% or 50 ms, whichever is larger (0° to 60°C)

Repeat Accuracy: ±0.001% of setting or 35 ms, whichever is larger (0° to 60°C)

Reset Time: 30 ms following voltage removal from simulated clutch input (CR1)

Power on Response: 300 ms maximum after voltage applied to terminal 11

Operating Temperature: +32° to +140°F (0° to +60°C)

Output Rating: Relay: 10 amp (resistive), 120 VAC
Mechanical Life: 20 million operations
Electrical Life: contingent upon controlled load

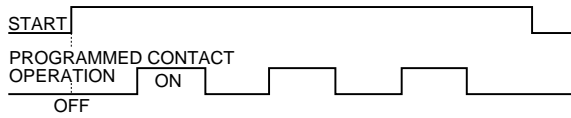
Vibration: Unit function is unaffected by 2.5G sinusoidal vibration magnitude in both directions of the perpendicular mounting axes imposed from 10 to 100 Hz

Static Discharge: Unit function is unaffected by a constant 3600 volt peak, 60 Hz discharge applied to the grounded front plate at a relative humidity of less than 25%

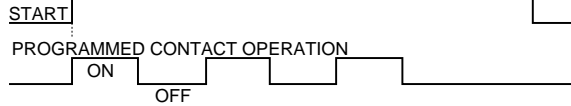
Approvals: UL Recognition E96337
CSA Certification LR26861

OUTPUT OPERATING MODES

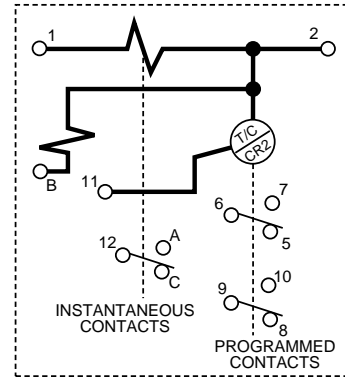
OFF Time First/Repeat Cycle Operation



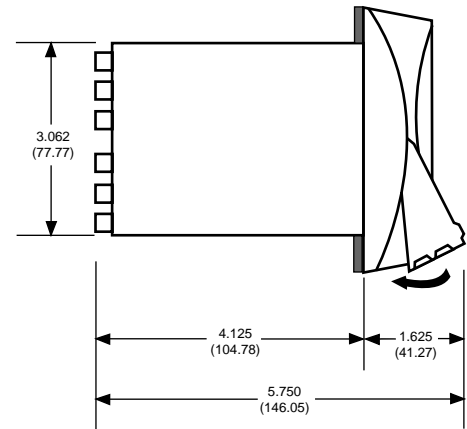
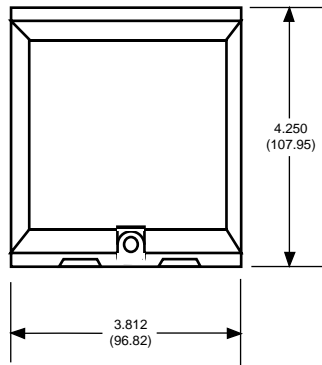
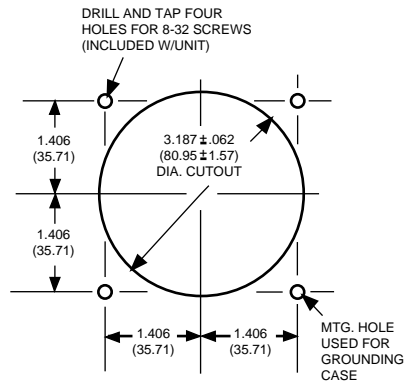
ON Time First/Repeat Cycle Operation



CX100 TERMINAL ASSIGNMENTS



MOUNTING



ENCLOSURES

Model No.	NEMA Class	Description
HN308	1	Surface Mtg. with terminal block
HN364	1	Surface Mtg. without terminal block
HN370	1A	Dual unit cabinet less unit cases and toggle switch, with 9 terminal block

ACCESSORIES

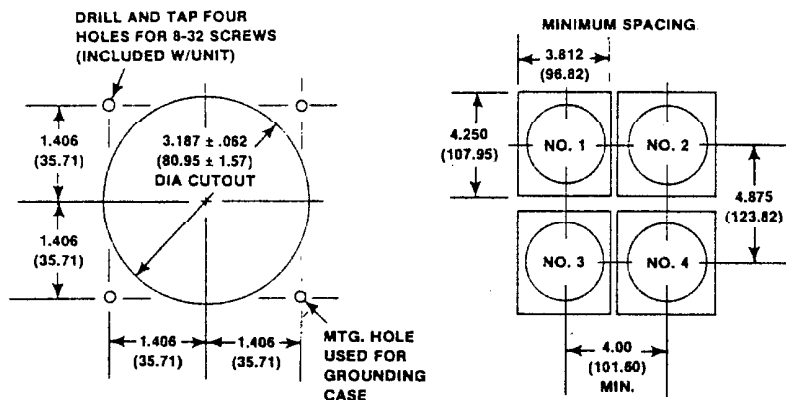
Model No.	Description
H-5331	Mounting Brackets 2 req'd per timer
HP50-31	One Hole Mounting Ring
HP50-131	CYCL-FLEX Water-Sealed Housing
HP50-133	Surface Mounting Adapter to use in place of brackets

ORDERING INFORMATION

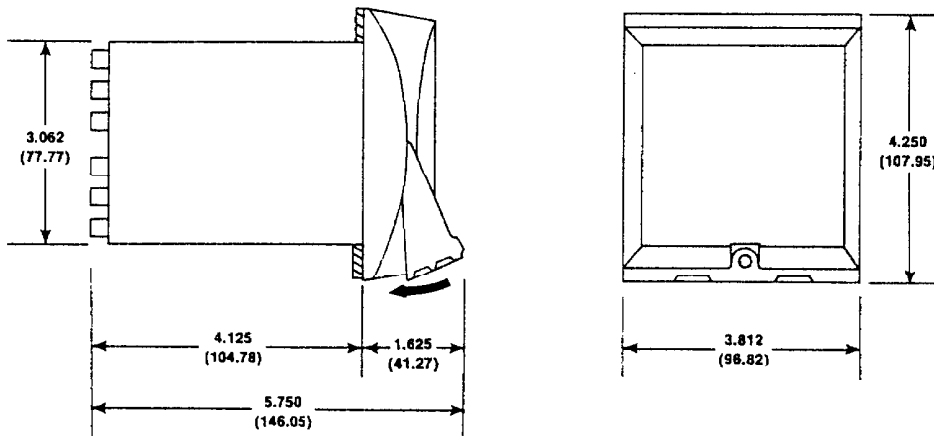
OUTPUT TYPE		CX1	00	A6	VOLTAGE & FREQUENCY	
Sym.	Description				Sym.	Description
00	10 amp Relay Output				A6	120 VAC, 50/60 Hz
					B6	240 VAC, 50/60 Hz



MOUNTING DIMENSIONS



XX = INCHES
(XX) = MILLIMETERS



ORDERING INFORMATION

CX1 00 A6

OUTPUT TYPE

SYMBOL	DESCRIPTION
00	10 Amp Relay Output

VOLTAGE & FREQUENCY

SYMBOL	DESCRIPTION
A6	120 VAC 50/60 Hz
B6	240 VAC 50/60 Hz